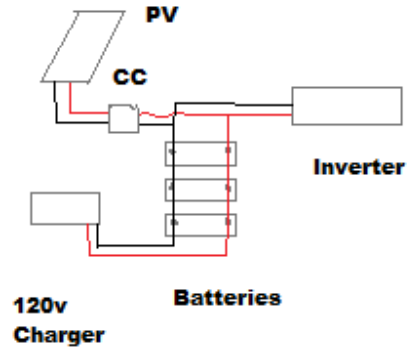


How to make your own Emergency Power System



First start with a battery. There is a type 27 marine deep cycle available at Walmart for about \$60. For longer running time, you can add more of these in parallel.



Now, to turn that 12vdc into 120vac, we need an inverter. Amazon carries this [400 watt inverter](#) for \$25



Connect to positive red wire to the positive on the battery, and the black negative wire to the negative on the battery.

To charge the battery(s), you can connect solar panels, or a grid or generator connected charger. Iota makes a good 45 amp charger, but make sure you get the IQ4 smart module.



Harbor freight sells an inexpensive 45 watt solar kit,



but you need a charge controller for it. We suggest a Morningstar Sunguard for each 45 watt kit.



Again, red (positive) to red, black (negative) to black on all connections.

Another option for charging is a small engine/alternator battery charger like the one found at <http://www.green-trust.org/products/>

