

Build It...

UTILITY LATHE BENCH

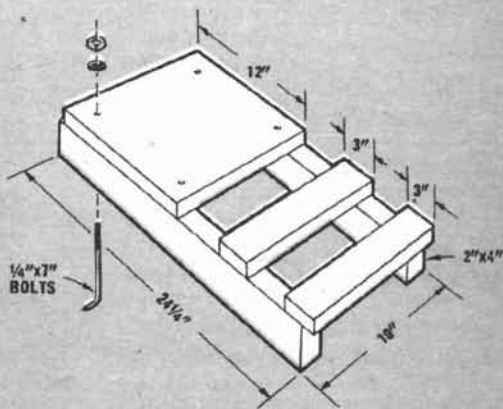
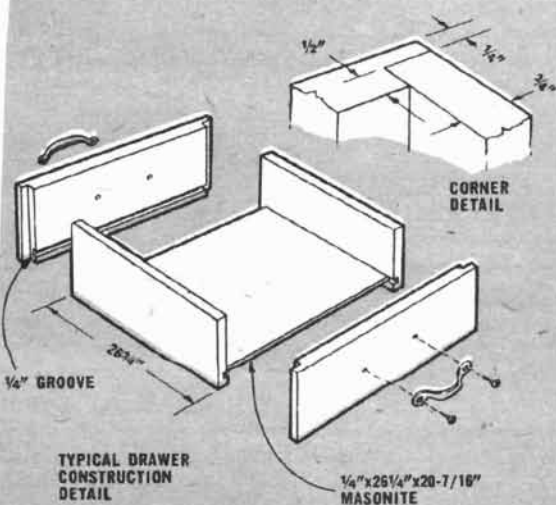
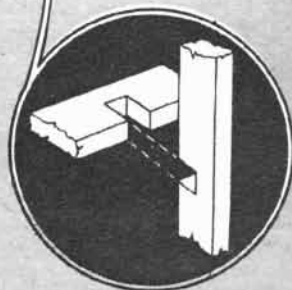
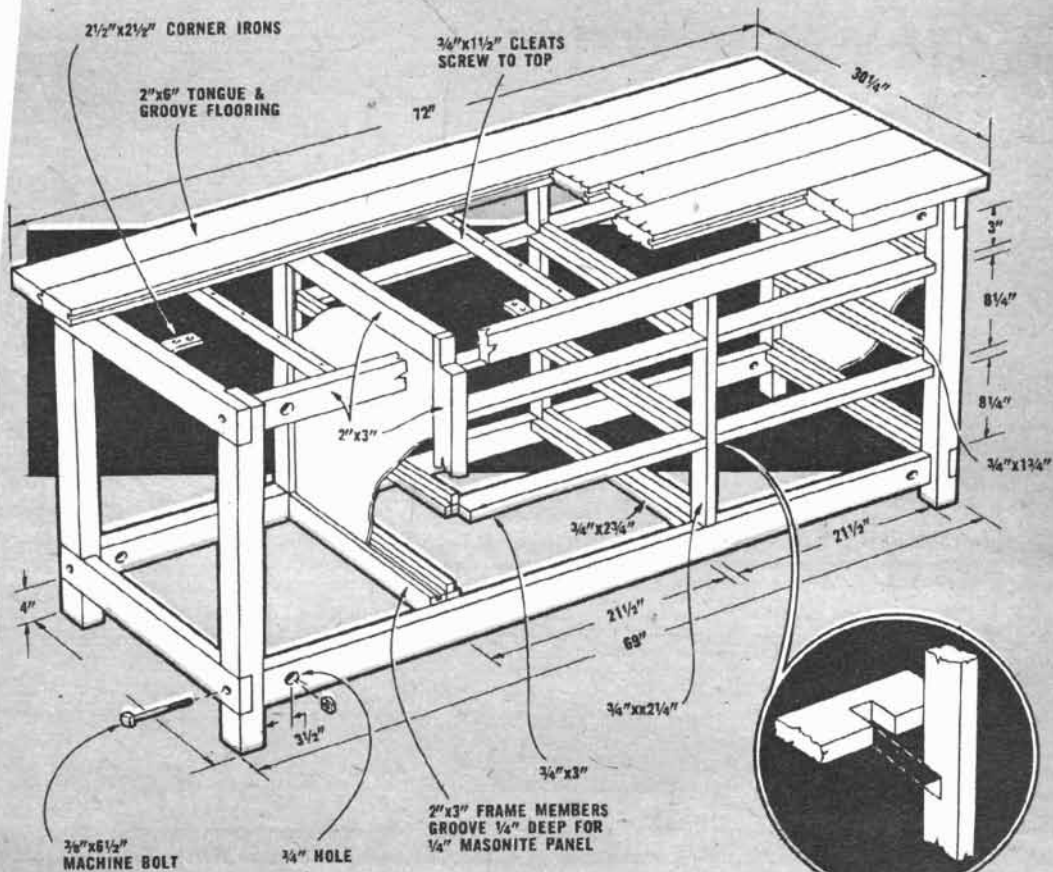


THIS utility bench not only supports your lathe with unequaled stability but also provides plenty of storage space for accessories and other tools under a bench top of generous yet convenient dimensions. As an added attraction, we have installed a built-in air compressor for spray painting, but this is optional.

The six slide-through drawers are accessible from either side of the bench and their interiors are fitted with partitions, blocks, clamps, etc., for the

orderly storage of tools and lathe accessories.

Lathe-turning tools can be stored in one of the shallow drawers to the right and within easy reach of the operator. These drawers will also house honing stones of various sizes and shapes, rulers, calipers, tool rests, lathe centers, face plates and most of those other small and frequently used lathe parts. The deep drawers accommodate grinding wheels, buffing wheels, sanding disks and other larger jigs and





SLIDE-THROUGH DRAWERS can be opened from either side. Note dividing partition, built-in tool rack.

attachments for the lathe.

Construction of the bench is comparatively simple; there is no complicated joinery involved. All joints are either butted or lapped. The bench can be built entirely with hand tools although power tools simplify the job.

Any seasoned lumber will make a suitable bench. In this case fir was used for the heavier members of the frame and No. 5 white pine for the drawers and drawer supports.

A really good top can be made by using hard maple strips assembled on edge and bolted together.

The height of the bench is 32½ inches, which is about right for the average operator.—*H. R. Clark*

REAR VIEW of lathe bench shows the ample space available for the compressor mounted behind motor.

