

## GENERAL SUGGESTIONS

**KEEP BURNER CLEAN.** An obstruction, such as a burned match head, near the burner fillers will produce a yellow flame at that point.

**THE PUMP PLUNGER** not only pumps air into the tank but acts as a wrench to turn the air stem. Turned to the left it opens the air stem so air may be forced through check valve. Turned to the right, the air stem closes the check valve and provides a positive shutoff. Air pressure may be added while the stove is burning. Oil the leather occasionally for top efficiency.

**KEEP TANK CLEAN** by rinsing it occasionally with clean fuel.

**BEFORE STORING STOVE**, empty the tank to prevent possible damage from acids, gums, or varnish-like substance which can form in old fuel. Clean the entire stove — burners, tank, case — and it will give you years of dependable service.

**THE STOVE GENERATOR** changes liquid fuel to a vapor. Eventually it may fill with carbon so no fuel can be forced through it. Avoid problems by keeping a spare generator, No. 413A5621 on hand.

**THE GASKET** in filler cap may deteriorate with age. It might be well to install a new No. 118B1361 gasket every year if the old one is hard and brittle.

**CONTACT YOUR DEALER** for service assistance or parts for your stove. Or write The Coleman Co., Inc., mentioning that your stove is a No. 413F.

### YOUR COLEMAN GUARANTEE

All new models of Coleman Outing Products are guaranteed against faulty material or workmanship.

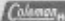
Any part found defective because of imperfect material or workmanship will be replaced without charge when returned with transportation charges prepaid to the Coleman factory, or to the nearest Coleman authorized in-warranty service station.

This guarantee does not, of course, apply to generators on stoves and lanterns, nor to any product where it is evident that damage has developed from improper handling or operation.

**NOTICE:** The use of any attachment or device that is not expressly approved by the Coleman Company, Inc., to alter or affect the operation of the appliance automatically cancels all warranties, implied or expressed. Furthermore, the Company shall not be liable for any consequences that result from the use of equipment under these circumstances.

Coleman's warranty on repair parts is made null and void by their use on other than  manufactured appliances.

Coleman's warranty on  appliances is made null and void by use of other than genuine  repair parts.

Always look for this  label.

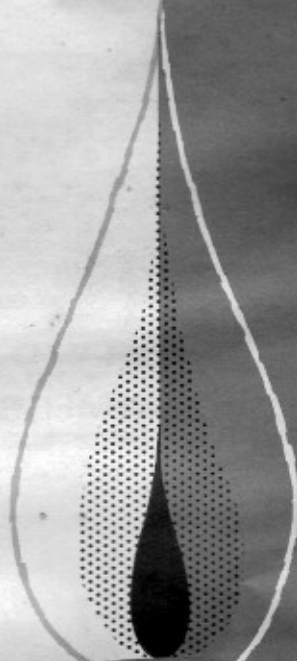
Made in United States of America

### THE COLEMAN COMPANY, INC.

General Office and Factory: Wichita, Kansas, 67201 U.S.A.  
Canadian Office and Factory: Toronto, Canada

1950C488 3-64  
P.I.

Litho in U. S. A.



**Coleman** 

**TWO BURNER  
CAMP STOVE  
413F**

TO OBTAIN SATIS-  
FACTORY RESULTS  
READ AND FOLLOW  
THESE INSTRU-  
CTIONS CAREFULLY  
STEP BY STEP...

\* DIRECTIONS FOR OPERATING AND SERVICING

\* DIRECTIONS FOR OPERATING AND SERVICING

# HOW TO USE YOUR

**Coleman**

## 413F TWO BURNER CAMP STOVE



### **Always Use the Right Kind of Fuel**

Substances in gasoline which do not vaporize will form carbon in the generator of your stove. The length of service you get from your stove and generator depends greatly upon the kind of fuel you have.

Use only clean, "white" Gasoline (Coleman S & L Fuel, for example); never use fuel containing lead compounds or lubricating oils. Store your fuel in a clean, closed metal container. (Glass containers are dangerous — may break.)

If Coleman S & L Fuel or ordinary "white" gasoline is not readily available, most oil companies will gladly tell you where to obtain it.

### **To Open Stove**

Pull supporting legs down until they snap into position. Open the lid to a level position with the stove. Flip the lid leg over the top to support it. If it is windy, shield the burners by supporting the lid in an upright position by inserting the wire clips on the wind baffles into slots in the ends of the stove.

Raise the grate and remove the tank assembly.

### **To Fill Tank (see illustration at right)**

Close generator valve (1) firmly by turning valve wheel to the right. Unscrew filler cap (2). With

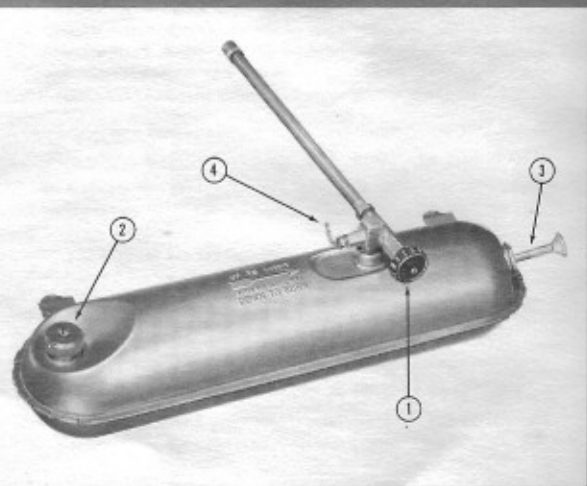
tank in level position, fill with clean, fresh fuel. Tank holds 3 pints. Replace filler cap and tighten firmly with fingers.

### **To Pump Air Pressure into Tank**

Generator valve and filler cap must be closed firmly. Turn pump plunger handle (3) two complete turns to the left. Place thumb over the small hole in handle and pump 35 to 50 full strokes of air into the tank. Then turn pump plunger handle to the right and tighten firmly.

### **To Place Tank and Generator in Position**

Push carrying handle up out of the way. Insert



the generator into large hole at right end of stove, then into opening in mixing chamber. Engage the hanger brackets into slots in front of case to support the tank.

### To Light Master Burner

Be sure auxiliary valve is closed. Turn instant-light lever (4) to "UP TO LIGHT" position. Hold a lighted match above the master burner and turn valve wheel (1) wide open to left. Operate burner full open approximately one minute. When flame is quite blue, turn instant-light lever (4) to "DOWN TO BURN" position. Flame can be adjusted by turning valve wheel. Add air pressure to tank to increase force or efficiency of flame. *(If flame remains reduced when valve is opened all the way, close and open valve several times. This will clean gas tip.)*

### To Light Auxiliary Burner

After the main burner has been lighted, the auxiliary burner may be lighted by extending valve handle through opening at end of stove. Now hold a match above the burner and open the auxiliary valve. Flame can be adjusted as desired. Master burner may require adjustment after lighting auxiliary burner.

### To Shut Off Auxiliary Burner

Turn auxiliary burner valve to right until tightly closed.

### To Shut Off Main Burner

On master burner, turn instant-light lever (4) to "UP TO LIGHT" position and let burn one minute. (This cleans heavier parts of fuel from the generator to protect the instant-lighting feature.) Now turn the valve wheel (1) to the right and close firmly. The burner may operate a few seconds until gas in the generator is gone.

### To Pack Stove

Reverse the procedure followed in opening stove. The tank and generator go in the left end of the stove as you face it. Lock lid in place and lay stove down with bottom side up. To unlock the legs, push in on the ends, then slide them into the frame.



## STOVE & LANTERN FUEL

especially blended for top performance, and longer burning time in Coleman products. Burns cleanly — no soot, smoke, or odor. Contains rust and gum inhibitors which protect against clogging, rust, and corrosion. Available in quart and gallon sizes in reuseable, leak-proof can with built-in pouring spout. Does not deteriorate in the can.

**GENERATOR** changes liquid fuel into vapor, and is the heart of your Coleman Camp Stove. Should it fill with carbon impairing the stove's efficiency, replace with another genuine factory-tested, precision-built Coleman Generator, No. 413A5621. To insure trouble-free outdoor cooking, buy a spare generator today, and keep it handy.

other Coleman products to  
add to your outing fun!



## WORLD'S FINEST SNOW-LITE® PICNIC JUGS

100% insulated with Thermo-Lock styrene. Exclusive one-piece molded liner is smooth, easy to clean, lightweight, unbreakable, won't chip or crack, will withstand temperatures of boiling water or freezing ice. Tough Royalite base is rust- and corrosion-proof. Available with Pitcher-Pour or ball handle with Spout or nylon spring-loaded, push-button faucet. Your choice of four beautiful colors.

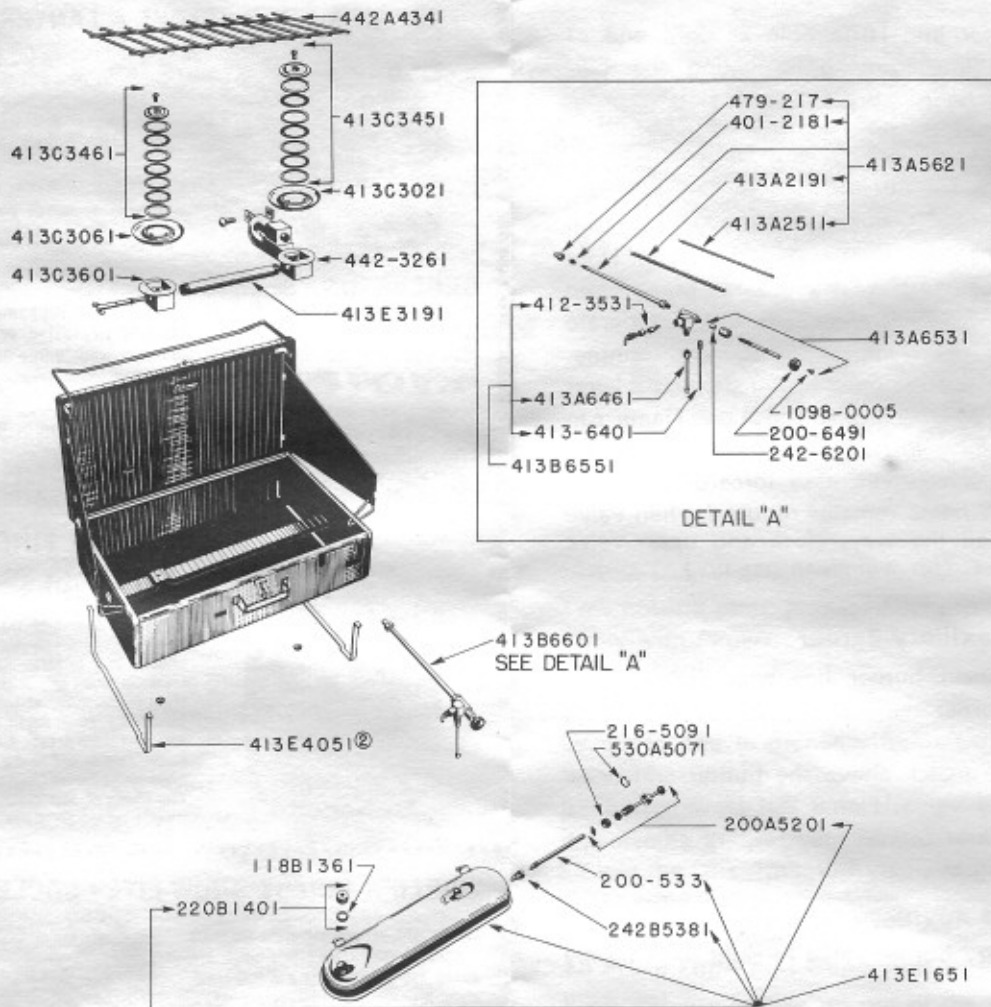
## WORLD'S FINEST SNOW-LITE® COOLERS

Lightweight, yet will withstand the most rugged abuse. Snow-Lite linings are strong and durable, rust and leak-proof, stain resistant, will not retain odors. They wipe clean instantly. Thermo-Lock styrene insulation holds cold up to 45% longer than ordinary coolers. Tough Royalite bottoms won't scuff, rust, corrode, or stain. Steel or aluminum models available in two sizes and four beautiful colors.



## WORLD FAMOUS COLEMAN LANTERNS

A Coleman lantern stretches days to give more hours of fun while hunting, fishing, camping, or vacationing. It's a life saver for use during emergencies. It keeps camps bright as day. Floods a 100-ft. area with strong light, bright as a 300-watt electric bulb, and keeps burning until morning all on a few cents worth of fuel. It's windproof, stormproof, bug-proof. Available in one and two-mantle models.



② Quantity of Parts Used in Assembly

**PARTS  
LIST FOR  
COLEMAN  
CAMP  
STOVE  
413F**

PART NO.	DESCRIPTION	PART NO.	DESCRIPTION	PART NO.	DESCRIPTION
8B119	Enamel (Pressurized Spray—Forest Green)	413A646I	Tube Assembly (Fuel and Air)	413C345I	Cap and Fillers (Master)
1098-0005	Machine Screw (No. 4 36x1/4")	413A219I	Coil (Generator)	413C346I	Cap and Fillers (Aux.)
118B136I	Gasket (Filler Cap)	413A251I	Needle Assembly	413C360I	Valve Stem (Aux. with Burner Body)
200-533	Air Stem Assembly	413A562I	Generator	413E319I	Pipe (Manifold)
200A520I	Plunger Ass'y (Pump)	413A653I	Stem Assembly	413E405I	Leg
200-649I	Wheel (Valve)	413B655I	Valve (Less Generator and Valve Stem)	413E165I	Tank
216-509I	Pump Cup	413B660I	Valve and Generator (Complete)	442A434I	Grate
220B140I	Filler Cap	413C302I	Burner Bowl (Master)	442-326I	Master Burner Body
242-620I	Packing (Valve Stem)	413C306I	Burner Bowl (Aux.)	479-217	Protector (Tip)
242B538I	Check Valve			530A507I	Clip (Pump Cap)
401-218I	Gas Tip (Marked B)				
412-353I	Stem (Lighter)				
413-640I	Block and Needle Ass'y				

See your Coleman Dealer for Repair Parts